



**Chongqing Jieheng Peristaltic Pumps Co., Ltd.**

Add:4F,6# Bldg,Jinguan Industrial Center,No.1076 Airport Ave.,Yubei Dist,Chongqing,China

Tel: +86-23-67191257 / 67191258

Fax: +86-23-67191259

E-mail:sales@jihpump.com

Http://www.jihpump.net

---

# Product Specification

**Product Name : Easy Load Peristaltic Pump**

**Product Series: 153Yx Series**

**Standard: Q/CJH1-2020**

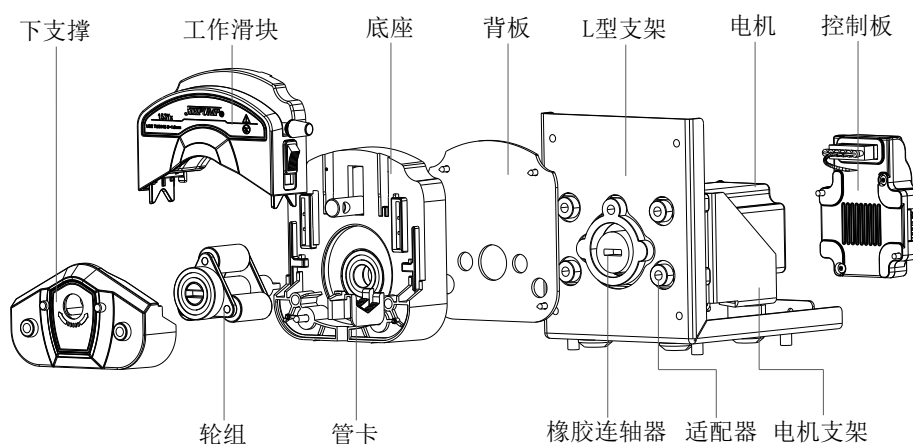
Drawn by	Su Chenglin
Checked by	Gu Yunjian
Approved by	Liu Peng

## I. General Presentation

### 1. Photo



### 2. Configuration



### 3. Model No.

153Yx/BT, 153Yx/JBT, 153Yx/JBT-BM, 153Yx/JBT-BT, 153Yx/QBT-M1 —— Stepper motor driven

153Yx/ZL —— DC gear motor drive

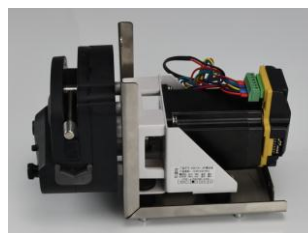
153Yx/JLT —— AC geared motor drive



153Yx/BT



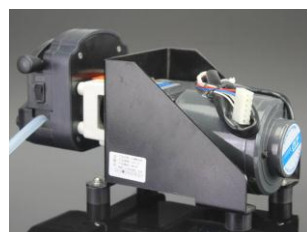
153Yx/JBT



153Yx/JBT-BM  
153Yx/JBT-BT  
153Yx/QBT-M1



153Yx/ZL



153Yx/JLT



## 4. Optional colors



White (PESU)



Black (PPS)

## 5. Features & Applications

### 5.1 Features

- Easy load peristaltic pump head, easy to change tube;
- White (PESU) and Black (PPS) in option;
- Can fit with 1.6mm thickness tube, 14#, 16#, 25#, 17#, 18#, max flow rate up to 2135ml/min;
- Compatible with various motor such as stepper motors, DC gear motors, AC gear motors;
- Available controller/driver for stepper motor: JBT-BM(voltage), JBT-BT(communication), QBT-M1(pulse);
- Can connect pump head in series, up to 6 heads in series. And the flow will multiply.

### 5.2 Applications

- Analytical instruments: fluid sampler
- Laboratory
- Industrial process
- Fine Chemicals
- Food processing: such as canned beverages

## 6. Material

Pump head	Working slide	Lower support	Base	Backplane	Roller	L bracket
153Yx	White (PESU)/Black (PPS)				304 SS	304 SS

## 7. Certifications & Patents

### CE Certificate


No. OP190508. CJPDU10



### RoHS Certificate

No. CKGEC2000458802



 <b>Product Specification</b>	File No.: 153Yx-0	
	Version: A0	
Product name: Easy load peristaltic pump	Series: 153Yx	Valid date: 2021-06-24

### 8. Product risk warnings already known

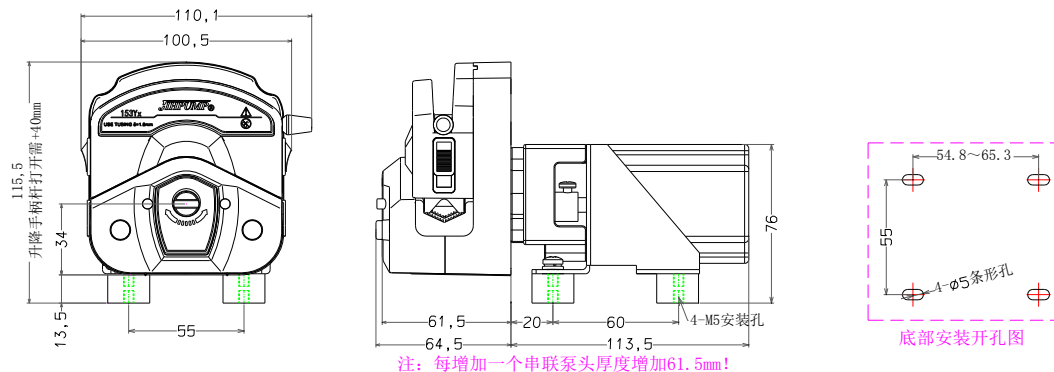
- 8.1. Whether the tube is resistant to liquid medium requires chemical compatibility or immersion test.  
Improper tube selection may cause the tube to be damaged quickly.
- 8.2. The liquid leakage accident caused by the tube rupture depends on the nature of the liquid and specific application conditions.
- 8.3. Whether the parts of the product are corroded depends on the chemical compatibility of the liquid and the product and the specific application environment.
- 8.4. The service life of the drive motor depends on the national standard of the motor and the application.
- 8.5. Improper tube specifications may cause the peristaltic pump to malfunction.
- 8.6. Over-rated power supply voltage may cause damage to the product, and overload work may cause premature product damage.



## II. Specification

### ■ 153Yx/BT

#### 1. Dimension

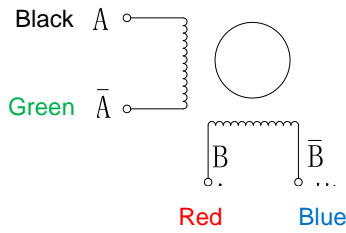


#### 2. Parameter

Rated voltage	DC 36V, 3A												
Power	≤54W												
Motor	57 stepper motor(nema 23)												
Operating environment	Temperature 0~60℃, relative humidity less than 85%												
Net weight	Single head:1.5KG(Note: the weight of each additional serial pump head increases by 0.5KG)												
Outlet pressure	≤0.17MPa												
Noise	≤70dB (testing environment noises≤50dB. The horizontal distance between the test product and the noise meter is 1 meter.)												
Function	Start/stop, cw/ccw rotation, up/down speed												
<b>Single Head Flow amount (ml/min,suction 0.8m,lift 0.4m)</b>													
Tube Voltage/RPM	Silicone tube					Norprene A-60-F tube					Norprene chemical tube		
	14#	16#	25#	17#	18#	14#	16#	25#	17#	18#	16#	25#	17#
600rpm	145	515	1080	1770	2135	130	540	1065	1745	1940	155	520	1075
Head in series	≤6	≤4	≤3	≤3	≤2	≤6	≤2	≤2	1	1	≤3	≤2	1
Note: 1) The flow data of the above table is measured by using clear water at the normal temperature of Jieheng laboratory, for reference only. 2) The tube material, size tolerance, transport medium viscosity, suction and lift height will affect the flow rate. 3) The tube is the only consumable of the peristaltic pump, and the long-time extrusion work is prone to wear or breakage.													
Tube life	Silicone tube≥250h, Norprene A-60-F tube >1000h, Norprene chemical tube >1000h (Note: The hose life is measured at a pump speed of 300rpm, no pressure at the hose outlet, and water delivery. For reference only, the actual data depends on the operating conditions.)												
Motor life	≥540000 cycles (temperature 15~35° C, relative humidity 55%~75%, rated voltage, rated load, temperature rise ≤30° C, continuous working time<10min)												



### 3. Motor wiring



CW

STEP	A	B	A	B
1	+	+	-	-
2	-	+	+	-
3	-	-	+	+
4	+	-	-	+

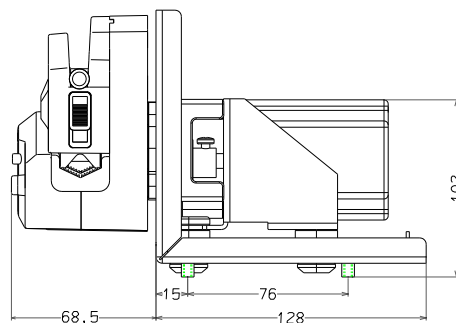
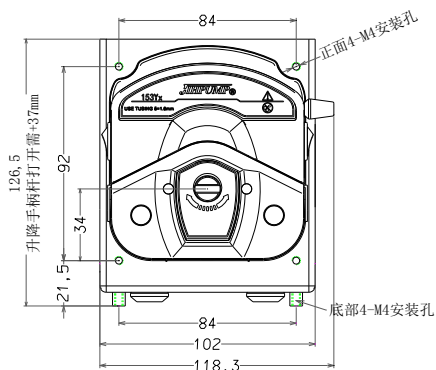
CCW

Phase	Resistance	Inductance	Current	Acc/Dec time	Holding torque	Insulation class
2	4.6±10%Ω	10±20% $mH$	1.3A	1rpm/ms	83N.cm	B

[www.jihpump.net](http://www.jihpump.net)


## 153Yx/JBT

### 1.Dimension



注：每增加一个串联泵头厚度增加61.5mm！

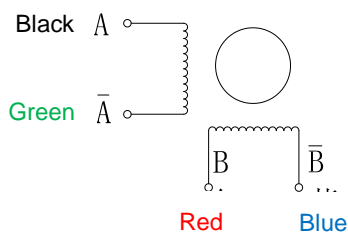
### 2. Parameter

<b>Rated voltage</b>	DC 36V, 3A												
<b>Power</b>	≤54W												
<b>Motor</b>	57 stepper motor(nema 23)												
<b>Operating environment</b>	Temperature 0~60°C, relative humidity less than 85%												
<b>Net weight</b>	Single head:1.6KG(Note: the weight of each additional serial pump head increases by 0.5KG)												
<b>Outlet pressure</b>	≤0.17MPa												
<b>Noise</b>	≤70dB (testing environment noise≤50dB. The horizontal distance between the test product and the noise meter is 1 meter.)												
<b>Function</b>	Start/stop, cw/ccw rotation, up/down speed												
<b>Single Head Flow amount (ml/min,suction 0.8m,lift 0.4m)</b>													
Tube Voltage/RPM	Silicone tube					Norprene A-60-F tube					Norprene chemical tube		
	14#	16#	25#	17#	18#	14#	16#	25#	17#	18#	16#	25#	17#
<b>600rpm</b>	145	515	1080	1770	2135	130	540	1065	1745	1940	155	520	1075
<b>Head in series</b>	≤6	≤4	≤3	≤3	≤2	≤6	≤2	≤2	1	1	≤3	≤2	1
<b>Tube life</b>	Silicone tube≥250h, Norprene A-60-F tube>1000h, Norprene chemical tube>1000h (Note: The hose life is measured at a pump speed of 300rpm, no pressure at the hose outlet, and water delivery. For reference only, the actual data depends on the operating conditions.)												
<b>Motor life</b>	≥540000 cycles (temperature 15~35° C, relative humidity 55%~75%, rated voltage, rated load, temperature rise ≤30° C, continuous working time<10min)												

Note: 1) The flow data of the above table is measured by using clear water at the normal temperature of Jieheng laboratory, for reference only. 2) The tube material, size tolerance, transport medium viscosity, suction and lift height will affect the flow rate. 3) The tube is the only consumable of the peristaltic pump, and the long-time extrusion work is prone to wear or breakage.



### 3. Motor wiring



CW

STEP	A	B	A	B
1	+	+	-	-
2	-	+	+	-
3	-	-	+	+
4	+	-	-	+

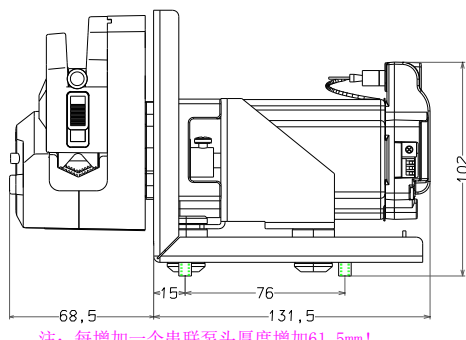
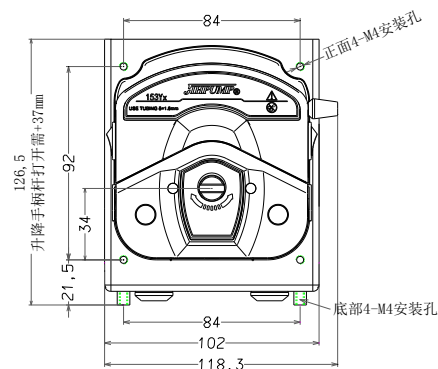
CCW

[www.jihump.net](http://www.jihump.net)



## 153Yx/JBT-BM

### 1.Dimension

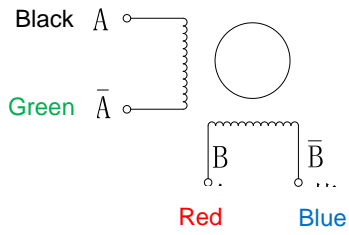


### 2. Parameter

Rated voltage	DC 36V, 3A												
Power	≤54W												
Motor	57 stepper motor(nema 23)												
Operating environment	Temperature 0~60°C, relative humidity less than 85%												
Net weight	Single head:1.67KG(Note: the weight of each additional serial pump head increases by 0.5KG)												
Outlet pressure	≤0.17MPa												
Noise	≤70dB (testing environment noises≤50dB. The horizontal distance between the test product and the noise meter is 1 meter.)												
Function	Start/stop, cw/ccw rotation, up/down speed												
<b>Single Head Flow amount (ml/min,suction 0.8m,lift 0.4m)</b>													
Tube Voltage/RPM	Silicone tube					Norprene A-60-F tube					Norprene chemical tube		
	14#	16#	25#	17#	18#	14#	16#	25#	17#	18#	16#	25#	17#
600rpm	145	515	1080	1770	2135	130	540	1065	1745	1940	155	520	1075
Head in series	≤6	≤4	≤3	≤3	≤2	≤6	≤2	≤2	1	1	≤3	≤2	1
Note: 1) The flow data of the above table is measured by using clear water at the normal temperature of Jieheng laboratory, for reference only. 2) The tube material, size tolerance, transport medium viscosity, suction and lift height will affect the flow rate. 3) The tube is the only consumable of the peristaltic pump, and the long-time extrusion work is prone to wear or breakage.													
Tube life	Silicone tube≥250h, Norprene A-60-F tube> 1000h, Norprene chemical tube> 1000h (Note: The hose life is measured at a pump speed of 300rpm, no pressure at the hose outlet, and water delivery. For reference only, the actual data depends on the operating conditions.)												
Motor life	≥540000 cycles (temperature 15~35° C, relative humidity 55%~75%, rated voltage, rated load, temperature rise ≤30° C, continuous working time<10min)												



### 3. Motor wiring

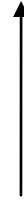


CW

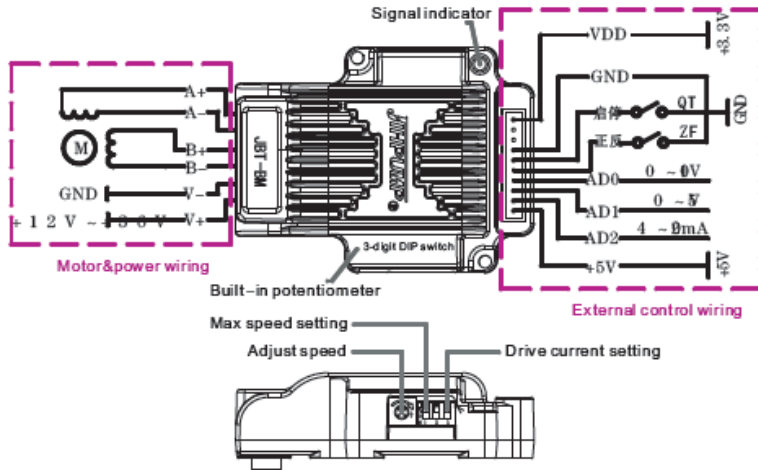


STEP	A	B	A	B
1	+	+	-	-
2	-	+	+	-
3	-	-	+	+
4	+	-	-	+

CCW



4.Port wiring, DIP switch definition and function description



Remark:

1. In the DIP switch definition table, 1 # and 2 # set the maximum speed, and 3 # selects the drive current;
2. The built-in potentiometer adjusts the speed, rotate clockwise, the speed increases; rotate counterclockwise, the speed decreases; **the factory has adjusted the potentiometer to the maximum speed;**
3. In the wiring diagram of the external control port, AD0 / AD1 / AD2 and the built-in potentiometer are speed adjustment signals. Only one signal can be selected when used, and other signals must be 0 (**if the governor speed is not returned to 0, the speed will be added**).
4. In the wiring diagram of the external control port, the QT switch signal controls the motor to start/stop, short-circuit to start, disconnect to stop; QT can also input the PWM duty pulse to control the motor speed according to the proportion and the return difference. The duty ratio 0% for the highest speed, and on the contrary for the lowest speed; above 95% duty ratio to stop, below 90% duty ratio to start;
5. ZF switch signal controls the direction of the motor, short-circuit for counterclockwise rotation, disconnect for clockwise rotation;
6. The signal indicator on the circuit board, when the motor is working, it lights up, and the motor is off when it is not working; in addition, the infrared speed can be used to detect the speed of the motor through the signal indicator;
7. **Drive current setting: motor rated current ≤ 2.4A, select 3A; motor rated current > 2.4A, select 5A.**

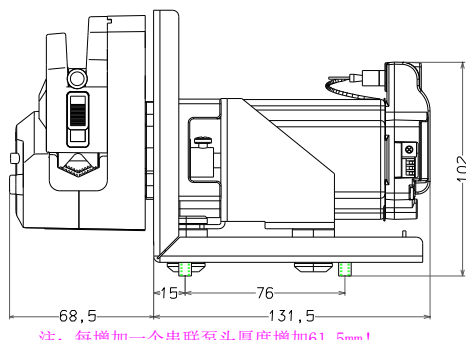
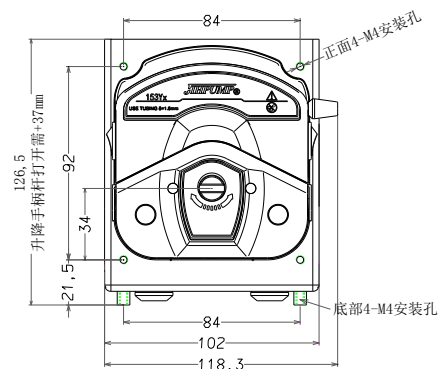
DIP Switch Definition

1#	2#	Speed	3#	Drive current
OFF	OFF	0~600rpm	ON	3A
OFF	ON	0~300rpm		
ON	OFF	0~150rpm	OFF	5A
ON	ON	0~60rpm		



## 153Yx/JBT-BT

### 1. Dimension



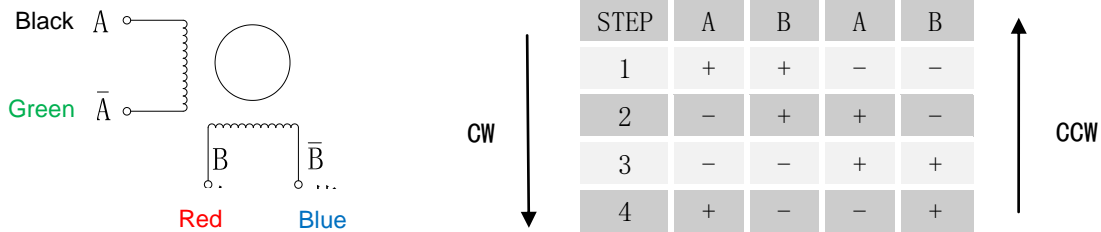
注: 每增加一个串联泵头厚度增加61.5mm!

### 2. Parameter

Rated voltage	DC 36V, 3A												
Power	≤54W												
Motor	57 stepper motor(nema 23)												
Operating environment	Temperature 0~60°C, relative humidity less than 85%												
Net weight	Single head:1.67KG(Note: the weight of each additional serial pump head increases by 0.5KG)												
Outlet pressure	≤0.17MPa												
Noise	≤70dB (testing environment noises≤50dB. The horizontal distance between the test product and the noise meter is 1 meter.)												
Function	Start/stop, cw/ccw rotation, up/down speed												
<b>Single Head Flow amount (ml/min,suction 0.8m,lift 0.4m)</b>													
Tube Voltage/RPM	Silicone tube					Norprene A-60-F tube					Norprene chemical tube		
	14#	16#	25#	17#	18#	14#	16#	25#	17#	18#	16#	25#	17#
600rpm	145	515	1080	1770	2135	130	540	1065	1745	1940	155	520	1075
Head in series	≤6	≤4	≤3	≤3	≤2	≤6	≤2	≤2	1	1	≤3	≤2	1
Note: 1) The flow data of the above table is measured by using clear water at the normal temperature of Jieheng laboratory, for reference only. 2) The tube material, size tolerance, transport medium viscosity, suction and lift height will affect the flow rate. 3) The tube is the only consumable of the peristaltic pump, and the long-time extrusion work is prone to wear or breakage.													
Tube life	Silicone tube≥250h, Norprene A-60-F tube> 1000h, Norprene chemical tube> 1000h (Note: The hose life is measured at a pump speed of 300rpm, no pressure at the hose outlet, and water delivery. For reference only, the actual data depends on the operating conditions.)												
Motor life	≥540000 cycles (temperature 15~35° C, relative humidity 55%~75%, rated voltage, rated load, temperature rise ≤30° C, continuous working time<10min)												



### 3. Motor wiring



### 3. Port wiring, DIP switch definition and function description

**Motor&power wiring**

**External control wiring**

**6-digit DIP switch**

MODBUS parameter setting

MODBUS address setting

Drive current setting

**Remark:**

- In the DIP switch definition table, 1 #, 2 #, 3 #, 4 # set the communication address, 5 # select the communication parameter, 6 # select the drive current;
- In the wiring diagram of the external control port, the signal of the QY liquid shortage switch is closed for normal control, and disconnect for shutdown protection;
- The signal indicator on the circuit board lights up when the motor is working; if the motor does not work and there is a communication signal, the indicator flashes; if the motor does not work and there is no communication signal, the indicator goes off; it can also be used through the signal indicator Infrared speedometer detects motor speed;
- Drive current setting: motor rated current  $\leq 2.4A$ , select 3A; motor rated current  $> 2.4A$ , select 5A.**

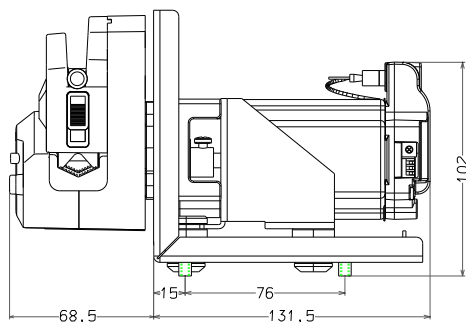
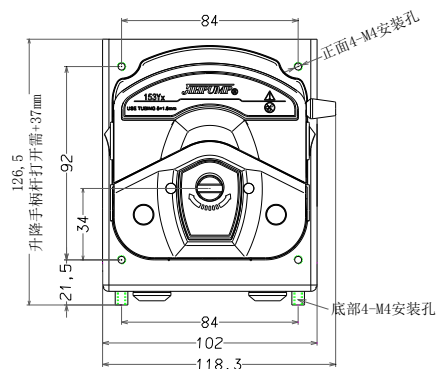
**MODBUS RTU parameters:**

- The command codes implemented are 1, 2, 3, 4, 5, 6, 15 and 16, the following addresses are all protocol addresses;
- Input relay, bit address 0 is QY (liquid shortage);
- Output relay, bit address 0 is QT (start and stop), bit address 1 is ZF (positive and negative);
- The input register is undefined;
- Output register, word address 0 is SPEED (speed), 0 ~ 6000 → 0 ~ 600.0RPM.

DIP Switch Definition								
1#	2#	3#	4#	Address	5#	Parameter	6#	Drive current
OFF	OFF	OFF	OFF	16	ON	9600 E 8 1	ON	3A
OFF	OFF	OFF	ON	15				
OFF	OFF	ON	OFF	14				
OFF	OFF	ON	ON	13				
OFF	ON	OFF	OFF	12				
OFF	ON	OFF	ON	11				
OFF	ON	ON	OFF	10				
OFF	ON	ON	ON	9				
ON	OFF	OFF	OFF	8	OFF	115200 N 8 1	OFF	5A
ON	OFF	OFF	ON	7				
ON	OFF	ON	OFF	6				
ON	OFF	ON	ON	5				
ON	ON	OFF	OFF	4				
ON	ON	OFF	ON	3				
ON	ON	ON	OFF	2				
ON	ON	ON	ON	1				

## 153Yx/QBT-M1

### 1.Dimension



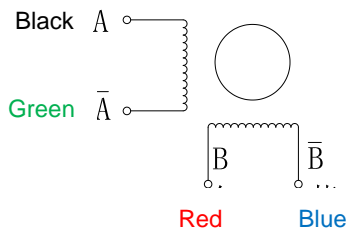
注: 每增加一个串联泵头厚度增加61.5mm!

### 2. Parameter

<b>Rated voltage</b>	DC 36V, 3A												
<b>Power</b>	≤54W												
<b>Motor</b>	57 stepper motor(nema 23)												
<b>Operating environment</b>	Temperature 0~60°C, relative humidity less than 85%												
<b>Net weight</b>	Single head:1.67KG(Note: the weight of each additional serial pump head increases by 0.5KG)												
<b>Outlet pressure</b>	≤0.17MPa												
<b>Noise</b>	≤70dB (testing environment noises≤50dB. The horizontal distance between the test product and the noise meter is 1 meter.)												
<b>Function</b>	Start/stop, cw/ccw rotation, up/down speed												
<b>Single Head Flow amount (ml/min,suction 0.8m,lift 0.4m)</b>													
<b>Tube</b>	Silicone tube					Norprene A-60-F tube					Norprene chemical tube		
	<b>Voltage/RPM</b>	14#	16#	25#	17#	18#	14#	16#	25#	17#	18#	16#	25#
<b>600rpm</b>	145	515	1080	1770	2135	130	540	1065	1745	1940	155	520	1075
<b>Head in series</b>	≤6	≤4	≤3	≤3	≤2	≤6	≤2	≤2	1	1	≤3	≤2	1
Note: 1) The flow data of the above table is measured by using clear water at the normal temperature of Jieheng laboratory, for reference only. 2) The tube material, size tolerance, transport medium viscosity, suction and lift height will affect the flow rate. 3) The tube is the only consumable of the peristaltic pump, and the long-time extrusion work is prone to wear or breakage.													
<b>Tube life</b>	Silicone tube≥250h, Norprene A-60-F tube> 1000h, Norprene chemical tube> 1000h (Note: The hose life is measured at a pump speed of 300rpm, no pressure at the hose outlet, and water delivery. For reference only, the actual data depends on the operating conditions.)												
<b>Motor life</b>	≥540000 cycles (temperature 15~35° C, relative humidity 55%~75%, rated voltage, rated load, temperature rise ≤30° C, continuous working time<10min)												

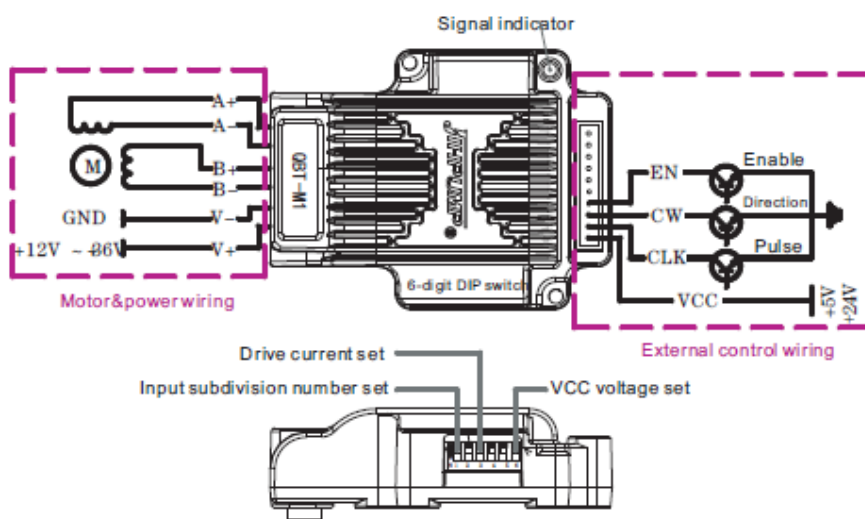


### 3. Motor wiring



STEP	A	B	A	B
1	+	+	-	-
2	-	+	+	-
3	-	-	+	+
4	+	-	-	+

### 4. Port wiring, DIP switch definition and function description



#### Remark:

1. In the dial switch definition table, 1#, 2# set the input subdivision number, 3#, 4# select the drive current, 6# select the VCC interface voltage, and 5# dial switch has no definition;

2. In the external control terminal wiring diagram, the higher the pulse frequency, the faster the rotation speed; CW is high for clockwise rotation, low for counterclockwise rotation; EN is low for stop, high for operation;

3. The signal indicator on the circuit board, when the motor is working, it will be illuminated, and when the motor is not working, it will be extinguished; the signal indicator can also be used to detect the motor speed by using the infrared speedometer;

4. Drive current setting description: motor rated current  $\leq 2.4A$ , select 3A; motor rated current  $> 2.4A$ , select 5A. The user can select the drive current according to the actual load, select a small drive current for a small load, and select a large drive current for a larger load.

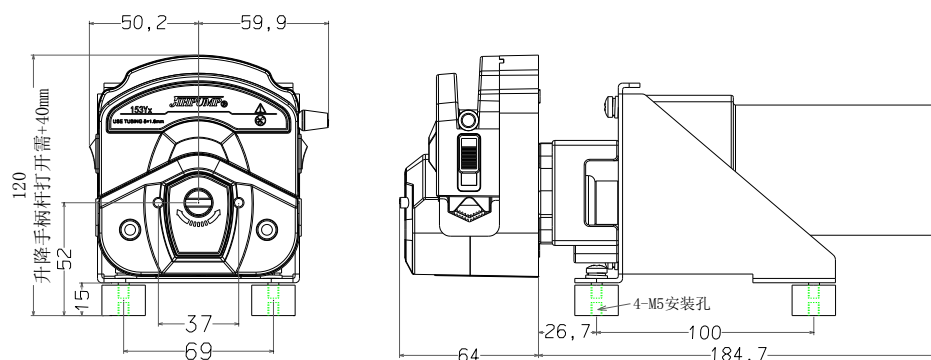
DIP Switch Definition

1#	2#	Input subdivision number	3#	4#	Driver current	6#	VCC voltage	5#
OFF	OFF	32	OFF	OFF	2A	ON	5V	no definition
OFF	ON	16	OFF	ON	3A			
ON	OFF	8	ON	OFF	4A	OFF	24V	
ON	ON	4	ON	ON	5A			



## ■ 153Yx/ZL

### 1. Dimension

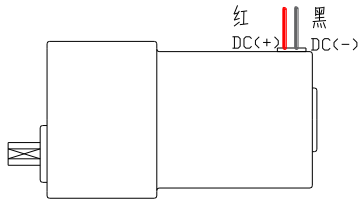


### 2. Parameter

<b>Rated voltage</b>	DC 24V, 2A													
<b>Power</b>	≤30W													
<b>Motor</b>	DC Geared motor													
<b>Operating environment</b>	Temperature 0~60°C, relative humidity less than 85%													
<b>Net weight</b>	2.5kgs													
<b>Outlet pressure</b>	≤0.17MPa													
<b>Noise</b>	≤70dB (testing environment noises≤50dB. The horizontal distance between the test product and the noise meter is 1 meter.)													
<b>Function</b>	Start/stop, cw/ccw rotation													
<b>Single Head Flow amount (ml/min,suction 0.8m,lift 0.4m)</b>														
	Silicone tube					Norprene A-60-F tube					Norprene chemical tube			
<b>Tube</b>														
<b>Voltage/RPM</b>	14#	16#	25#	17#	18#	14#	16#	25#	17#	18#	14#	16#	25#	17#
<b>500rpm</b>	135	520	1000	1740	2050	120	520	1000	1830		155	500	950	1620
Note: 1) The flow data of the above table is measured by using clear water at the normal temperature of Jieheng laboratory, for reference only. 2) The tube material, size tolerance, transport medium viscosity, suction and lift height will affect the flow rate. 3) The tube is the only consumable of the peristaltic pump, and the long-time extrusion work is prone to wear or breakage.														
<b>Tube life</b>	Silicone tube≥250h, Norprene A-60-F tube> 1000h, Norprene chemical tube> 1000h (Note: The hose life is measured at a pump speed of 300rpm, no pressure at the hose outlet, and water delivery. For reference only, the actual data depends on the operating conditions.)													
<b>Motor life</b>	≥180000 cycles (temperature 15~35° C, relative humidity 55%~75%, rated voltage, rated load, temperature rise≤30° C, continuous working time<10min)													



### 3. Motor parameter



The positive pole of the power supply connects to +, the negative pole connects to "-", the motor rotation direction is clockwise (CW). On the contrary, the motor rotation direction is clockwise (CCW).

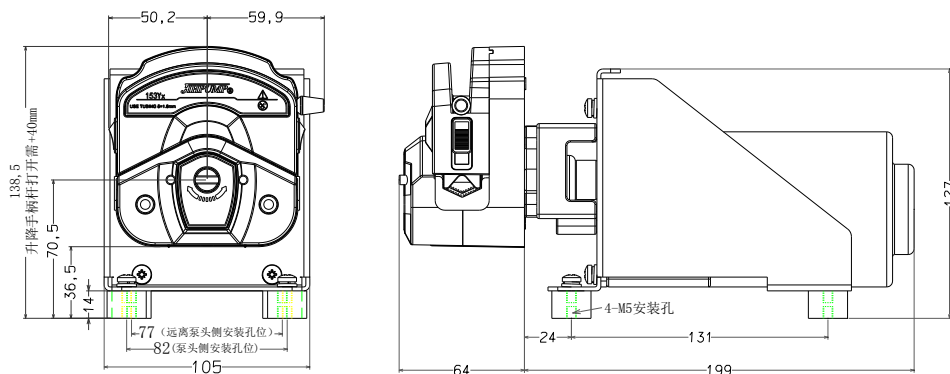
Rated voltage	Rated power	Rated speed	Holding torque	Insulation class
24V	30W	500rpm±10%	0.095N.m	B

[www.jihpump.net](http://www.jihpump.net)



## 153Yx/JLT

### 1.Dimension



### 2. Parameter

Rated voltage	AC 220V
Power	≤25W
Motor	DC Geared motor
Operating environment	Temperature 0~60℃, relative humidity less than 85%
Net weight	2.5kgs
Outlet pressure	≤0.17MPa
Noise	≤70dB (testing environment noises≤50dB. The horizontal distance between the test product and the noise meter is 1 meter.)
Function	Start/stop, cw/ccw rotation, speed up/down(with speed governor)

#### Single Head Flow amount (ml/min,suction 0.8m,lift 0.4m)

Tube Voltage/RPM	Silicone tube					Norprene A-60-F tube					Norprene chemical tube			
	14#	16#	25#	17#	18#	14#	16#	25#	17#	18#	14#	16#	25#	17#
100rpm	25	85	180	295	355	20	90	175	290	320	25	85	180	275
~	~	~	~	~	~	~	~	~	~	~	~	~	~	~
450rpm	110	385	810	1325	1595	95	405	800	1310	145 5	115	390	805	1250

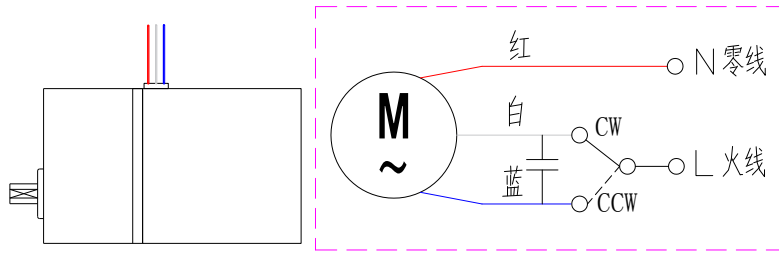
Note: 1) The flow data of the above table is measured by using clear water at the normal temperature of Jieheng laboratory, for reference only. 2) The tube material, size tolerance, transport medium viscosity, suction and lift height will affect the flow rate.

3) The tube is the only consumable of the peristaltic pump, and the long-time extrusion work is prone to wear or breakage.

Tube life	Silicone tube≥250h, Norprene A-60-F tube>1000h, Norprene chemical tube>1000h (Note: The hose life is measured at a pump speed of 300rpm, no pressure at the hose outlet, and water delivery. For reference only, the actual data depends on the operating conditions.)
Motor life	≥180000 cycles (temperature 15~35° C, relative humidity 55%~75%, rated voltage, rated load, temperature rise≤30° C, continuous working time<10min)




### 3. Motor parameter



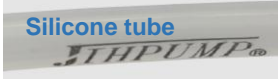
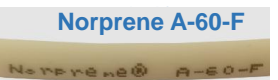

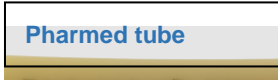
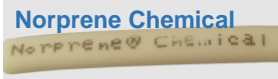
Description: "red wire" is "neutral wire", "white wire/blue wire" is "live wire", connect the red and white wires, the motor rotation direction is clockwise (CW); connect the red and blue wires, the motor rotation direction is reverse Hour hand (CCW).

[www.jihump.net](http://www.jihump.net)



 <b>Product Specification</b>	File No.: 153Yx-0	
	Version: A0	
	Product name: Easy load peristaltic pump	Series: 153Yx

### III. Tube type

	<ul style="list-style-type: none"> <li>● High performance platinum vulcanized silicone tube</li> <li>● Ultra-smooth inner wall for minimal particle adhesion</li> </ul>	RoHS	14#, 16#, 25#, 17#, 18#
	<ul style="list-style-type: none"> <li>● Ideal for high temperature food applications</li> <li>● Heat and ozone resistance, good acid and alkali resistance</li> </ul>	FDA、3A、NSF、REACH、RoHS	14#, 16#, 25#, 17#, 18#
	<ul style="list-style-type: none"> <li>● Lightfastness and ozone resistance, life expectancy up to 1000h</li> <li>● Suitable for the transport of soaps, disinfectants and inks</li> </ul>	NSF、REACH、RoHS	14#, 16#, 25#, 17#, 18#
	<ul style="list-style-type: none"> <li>● Resistance to common chemicals, acidity and oxidation resistance</li> <li>● Life exceeds 1000h</li> </ul>	USP Class VI、EP、FDA、NSF、REACH、RoHS	14#, 16#, 25#, 17#, 18#
	<ul style="list-style-type: none"> <li>● Excellent chemical and bio compatibility</li> <li>● Long life and durability under high pressure conditions</li> </ul>	USP Class VI、FDA、REACH、RoHS	14#, 16#, 25#, 17#, 18#

### IV. Option accessories

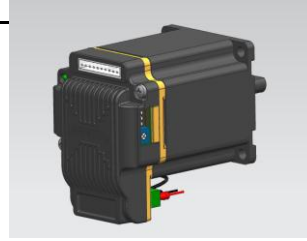
Name	Model No.	Description
Filling needles	φ4/φ5/φ6/φ8	prevent liquid dripping
One-way valve filling needle	φ 4/φ6	prevent liquid dripping
Anti-float head	16#/25#/17#	immerse the tube inlet completely in the liquid
Tube clip	Left/right Tube Clip	Fix the tube, and prevent tube running and wobbling
Speed controller for stepper motor	JBT-BM	Accept voltage, current and PWM pulse to adjust the speed, with start-stop, forward and reverse and speed up and down functions
	JBT-BT	MODBUS data control speed, start-stop and forward and reverse
	QBT-M1	Accepts pulse, direction and enable signals



Anti-float head



Filling needles



Speed controller

